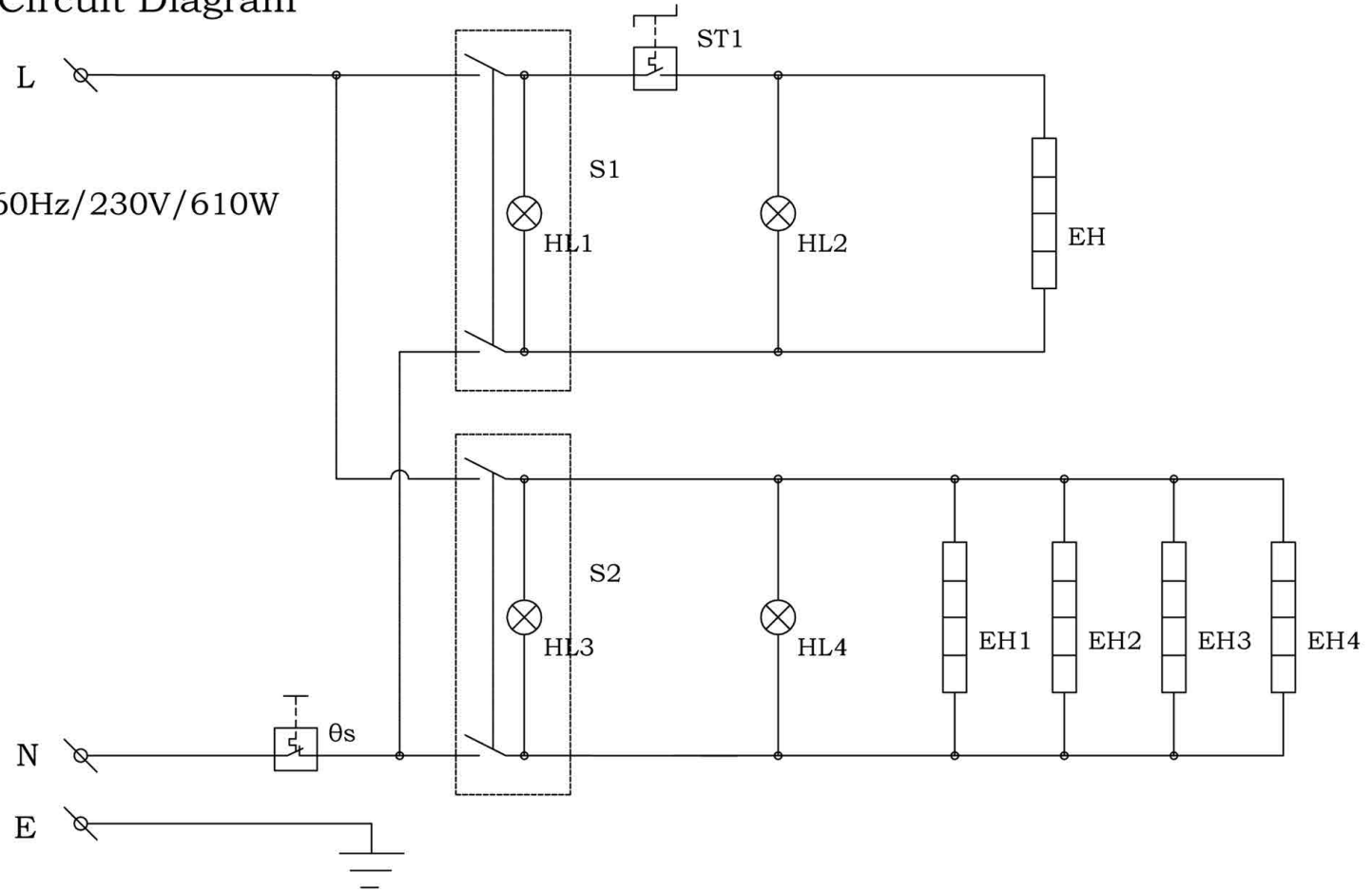


Circuit Diagram

AC/L.N/50~60Hz/230V/610W



- S1, S2 — Switch
- ST1 — Thermostat
- EH — Heating Element
- EH1-EH4 — Heating Element

- HL1,HL3 — Indicator in switch
- θs — Temperature limiter
- HL2, HL4 — Heating indicator